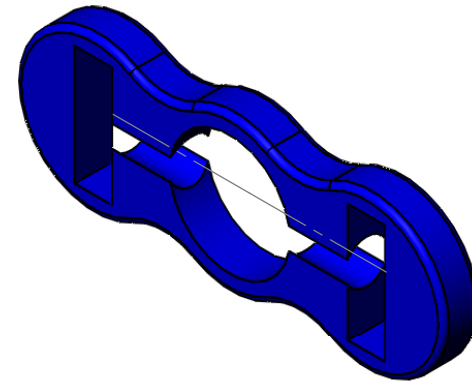
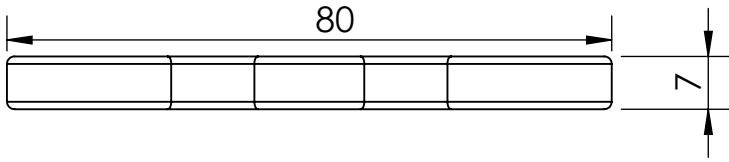


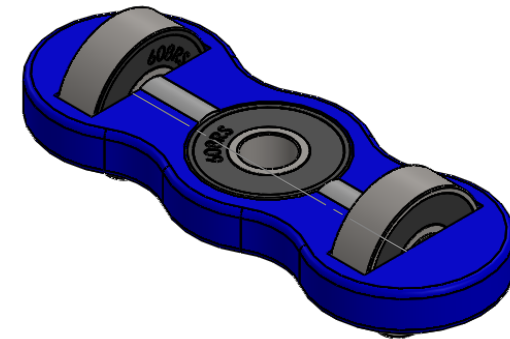
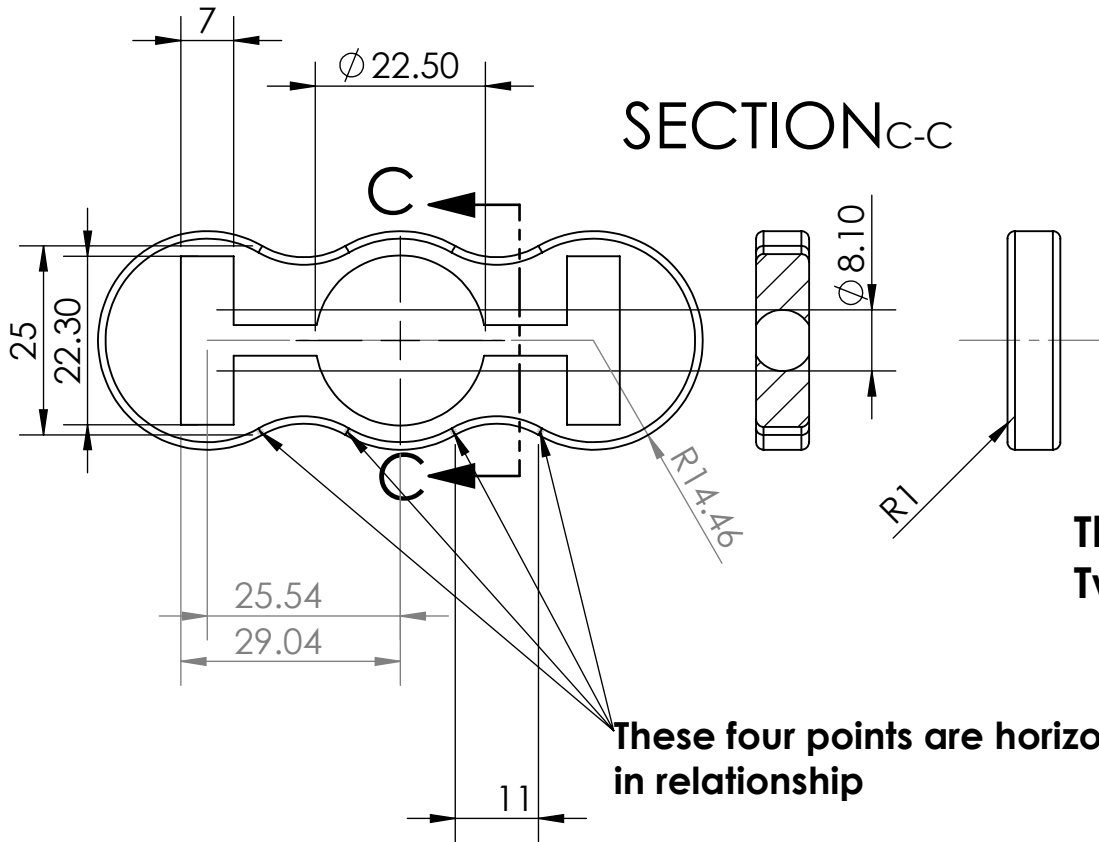
2

1



B

B



Three 22 mm radius bearings inserted
Two 8.1 mm radius cylinders inserted

These four points are horizontal in relationship

A

A

SOLIDWORKS Student Edition.
For Academic Use Only.

TITLE:		
SIZE	DWG. NO.	REV
A	0	Spinner bearings final
SCALE: 1:1	WEIGHT:	SHEET 1 OF 1

2

1