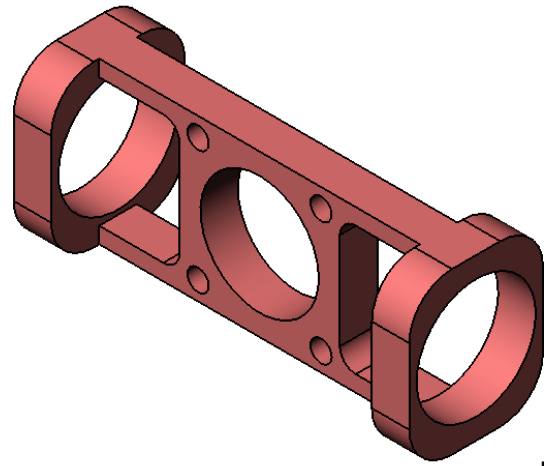
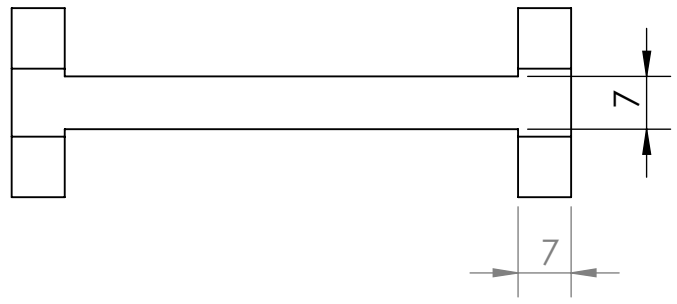


2

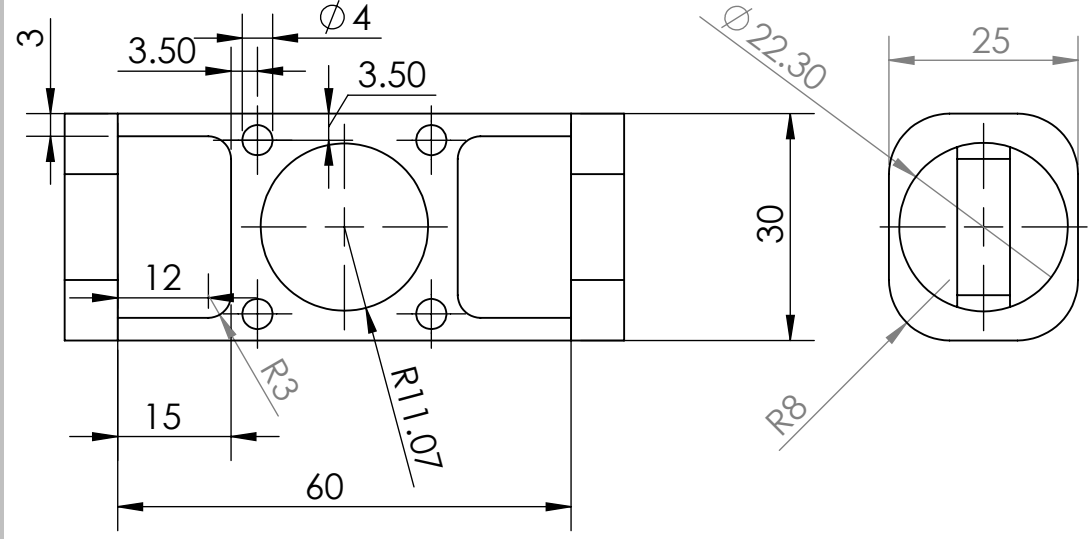
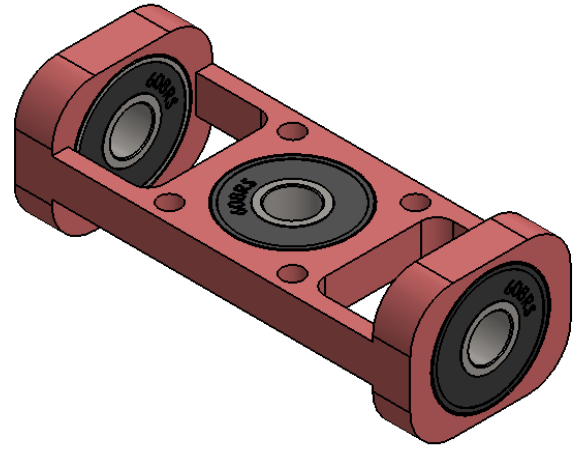
1

B

B



Three 22 mm bearings



A

A

SOLIDWORKS Student Edition. For Academic Use Only.

TITLE:

SIZE A Centrifuge bearings final

SCALE: 1:1 WEIGHT: SHEET 1 OF 1

2

1