

2

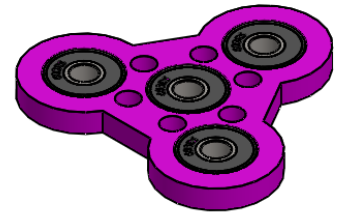
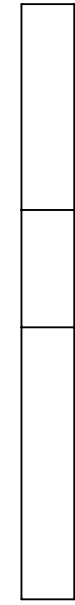
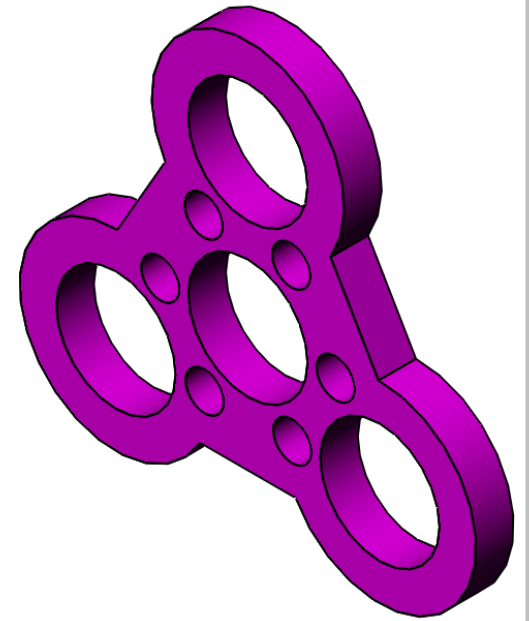
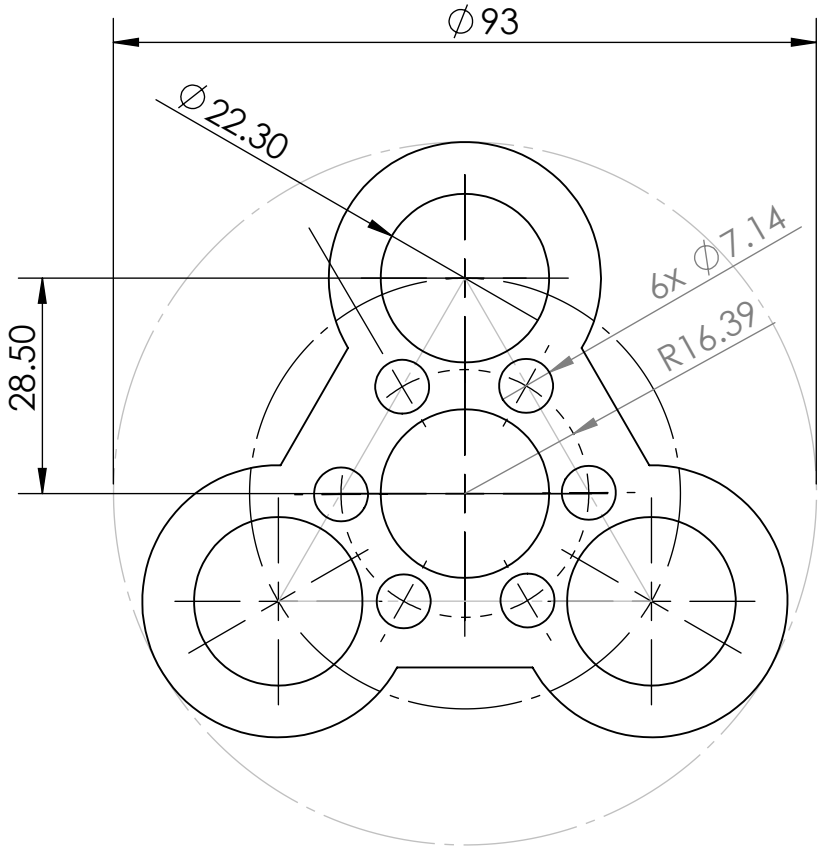
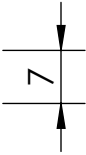
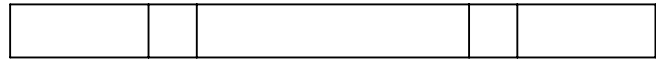
1

B

B

A

A



**SOLIDWORKS Student Edition.**  
**For Academic Use Only.**

SIZE <b>A</b>	Tri-Spinner bearings hole pattern final	
		SHEET 1 OF 1

2

1